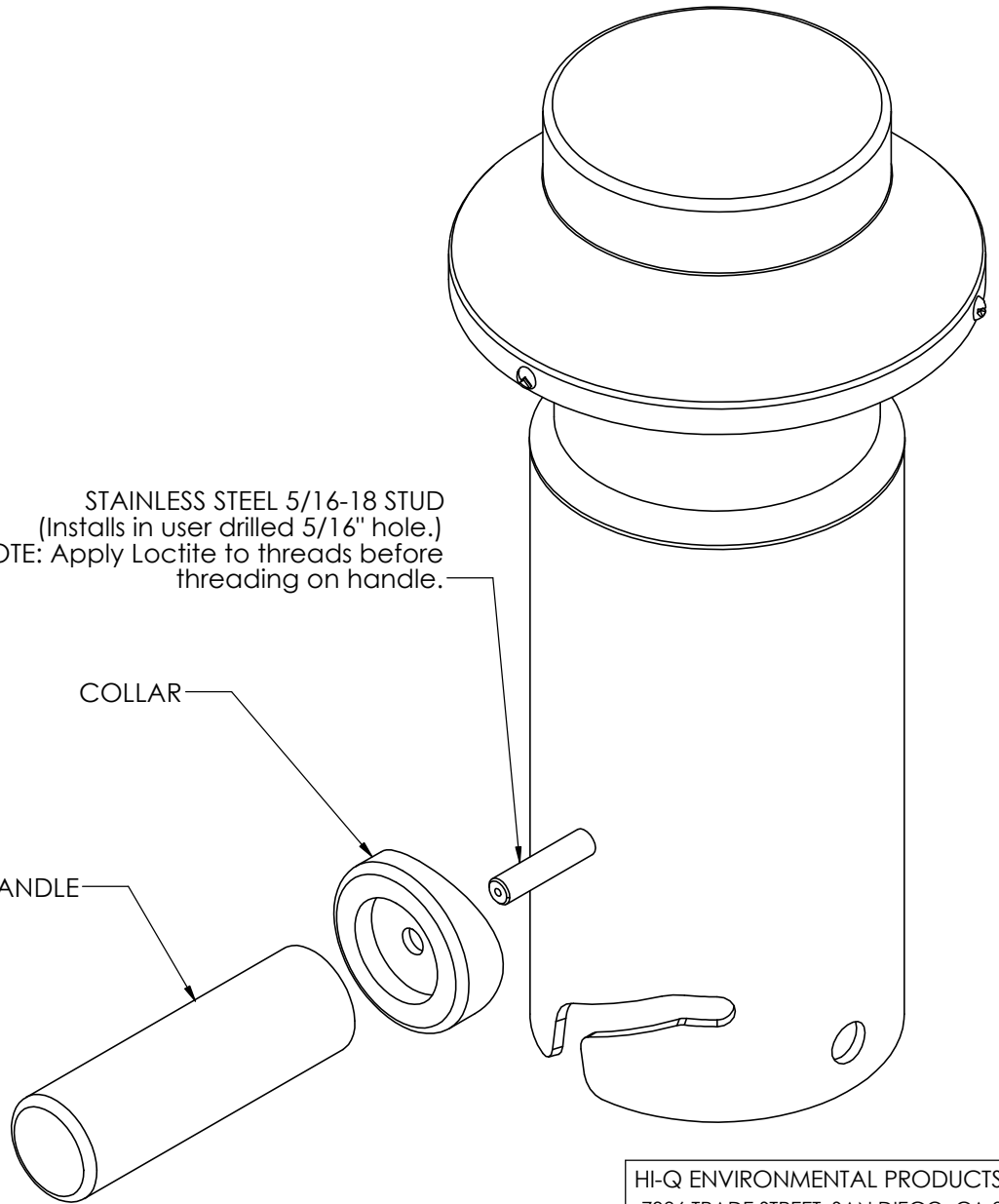


STAINLESS STEEL 5/16-18 STUD
 (Installs in user drilled 5/16" hole.)
 NOTE: Apply Loctite to threads before
 threading on handle.

COLLAR
 HANDLE



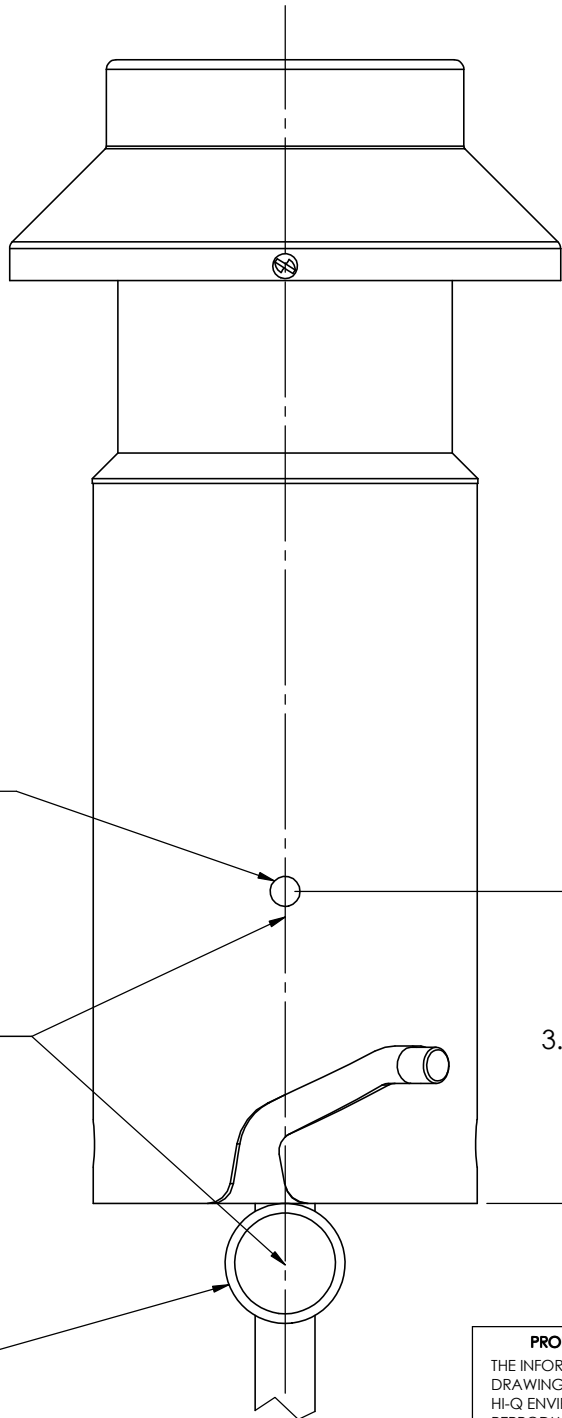
HI-Q ENVIRONMENTAL PRODUCTS CO.
 7386 TRADE STREET, SAN DIEGO, CA 92121
 TEL: 858 549-2820 FAX: 858 549-9657

**INSTALLATION OF
 RETRO-FIT HANDLE
 FOR PSU-RHLB INLET**

PROPRIETARY AND CONFIDENTIAL
 THE INFORMATION CONTAINED IN THIS
 DRAWING IS THE SOLE PROPERTY OF
 HI-Q ENVIRONMENTAL PRODUCTS CO. ANY
 REPRODUCTION IN PART OR AS A WHOLE
 WITHOUT THE WRITTEN PERMISSION OF
 HI-Q ENVIRONMENTAL PRODUCTS CO. IS
 PROHIBITED.

DO NOT SCALE DRAWING
 MATERIAL: N/A
 FINISH: N/A
 DRAWN BY: S.A. OWEN
 DATE: 6/7/06

SIZE	DWG. NO.	REV.
A	PSU-RHLB Inlet Handle	A
CAD FILE: PSU-RHLB Inlet Handle.sldraw		SHEET 1 OF 2



**PSU-RHLB-IH INLET HANDLE RETRO-FIT KIT
INSTALLATION INSTRUCTIONS:**

1. With the inlet portion of the PSU-RHLB still installed on the PSU, measure up 3.25" from the bottom of the inlet skirt to make a mark for the mounting hole. For ease of use, line the hole up with the centering of the existing bottom handle.
2. Remove the inlet from the PSU.
3. Use a center punch and a hammer to make a guide mark for starting the drill.
4. Use a 5/16" diameter drill bit to drill the hole as shown. (Note: It may be easier to drill with a smaller drill bit first, such as a 1/8" or 3/16" bit.)
5. Deburr the outside of the hole with file or deburring tool.
6. Insert the supplied stainless steel 5/16-18 threaded stud into the hole from the inside of the inlet.
7. Slip the collar over the threaded stud with the counterbore facing out and the radiused side facing towards the inlet skirt.
8. Apply the red Loctite from the supplied blister package to the male threads on the stud.
9. Thread on the handle until the handle will not turn any farther. The handle should be seated in the counterbore and the radiused portion of the collar should nest against the cylindrical outer surface of the inlet.

Drill 5/16" Hole Thru One Wall

For best results, line up centerline of hole with centerline of bottom handle

Bottom Handle (Original)

PROPRIETARY AND CONFIDENTIAL
THE INFORMATION CONTAINED IN THIS DRAWING IS THE SOLE PROPERTY OF HI-Q ENVIRONMENTAL PRODUCTS CO. ANY REPRODUCTION IN PART OR AS A WHOLE WITHOUT THE WRITTEN PERMISSION OF HI-Q ENVIRONMENTAL PRODUCTS CO. IS PROHIBITED.

DO NOT SCALE DRAWING
MATERIAL: N/A
FINISH: N/A
DRAWN BY: S.A. OWEN
DATE: 6/7/06

HI-Q ENVIRONMENTAL PRODUCTS CO.
7386 TRADE STREET, SAN DIEGO, CA 92121
TEL: 858 549-2820 FAX: 858 549-9657

INSTALLATION OF RETRO-FIT HANDLE FOR PSU-RHLB INLET		
SIZE	DWG. NO.	REV.
A	PSU-RHLB Inlet Handle	A
CAD FILE: PSU-RHLB Inlet Handle.sldrw		SHEET 2 OF 2