

Minimize
this Distance

HI-Q ENVIRONMENTAL PRODUCTS CO.
7386 TRADE STREET, SAN DIEGO, CA 92121
TEL: 858 549-2818 FAX: 858 549-9657

**8 INCH STACK
SHROUDED PROBE
INSTALLATION**

PROPRIETARY AND CONFIDENTIAL
THE INFORMATION CONTAINED IN THIS
DRAWING IS THE SOLE PROPERTY OF
HI-Q ENVIRONMENTAL PRODUCTS CO. ANY
REPRODUCTION IN PART OR AS A WHOLE
WITHOUT THE WRITTEN PERMISSION OF
HI-Q ENVIRONMENTAL PRODUCTS CO. IS
PROHIBITED.

DO NOT SCALE DRAWING

MATERIAL N/A

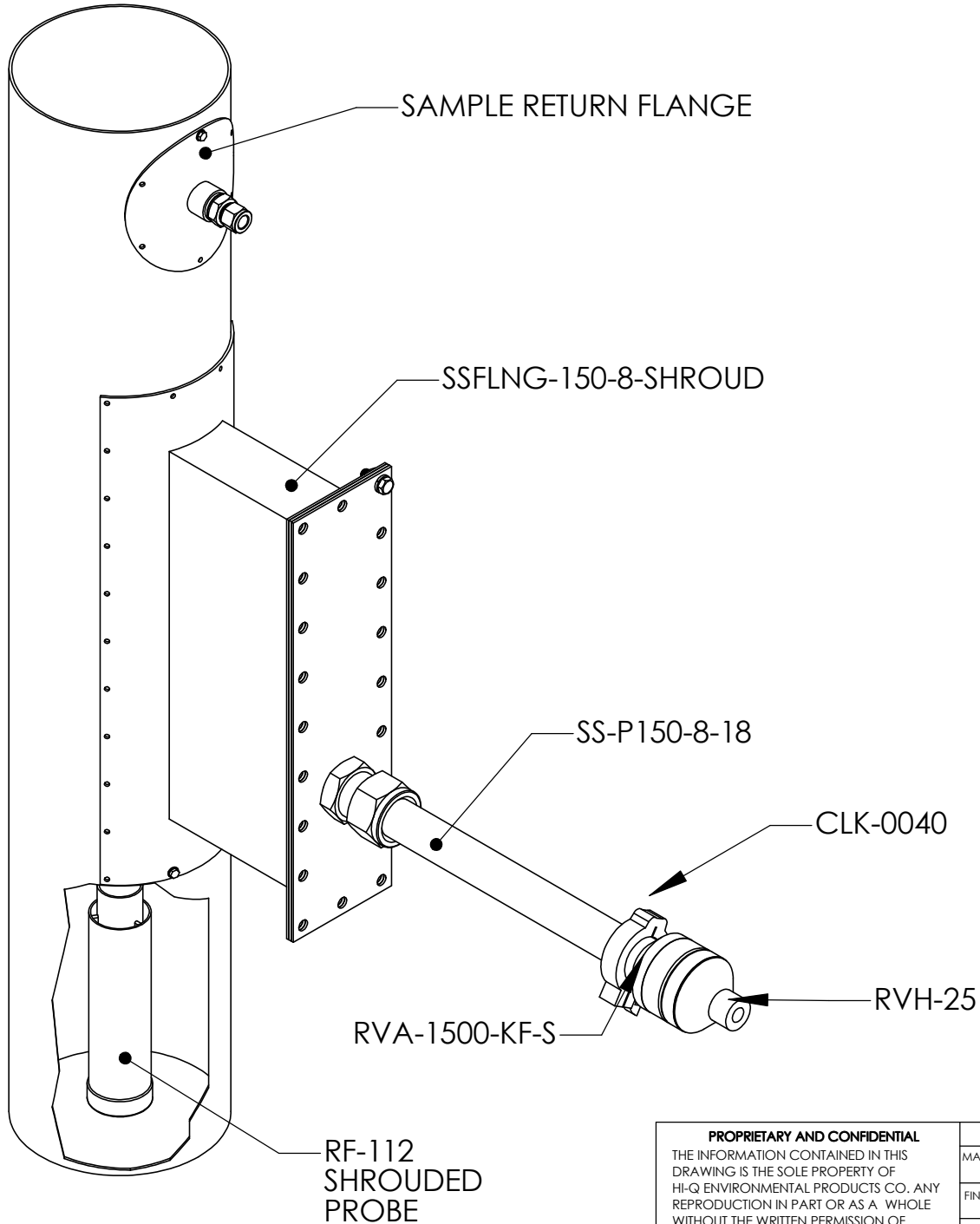
FINISH N/A

DRAWN BY S.A. OWEN DATE 9/29/03

DWG. NO. STACK 8 INCH SPINSTALL

REV. A

CAD FILE: Lab Impex Shrouded Probe Assy 8 Inch SHEET 1 OF 4



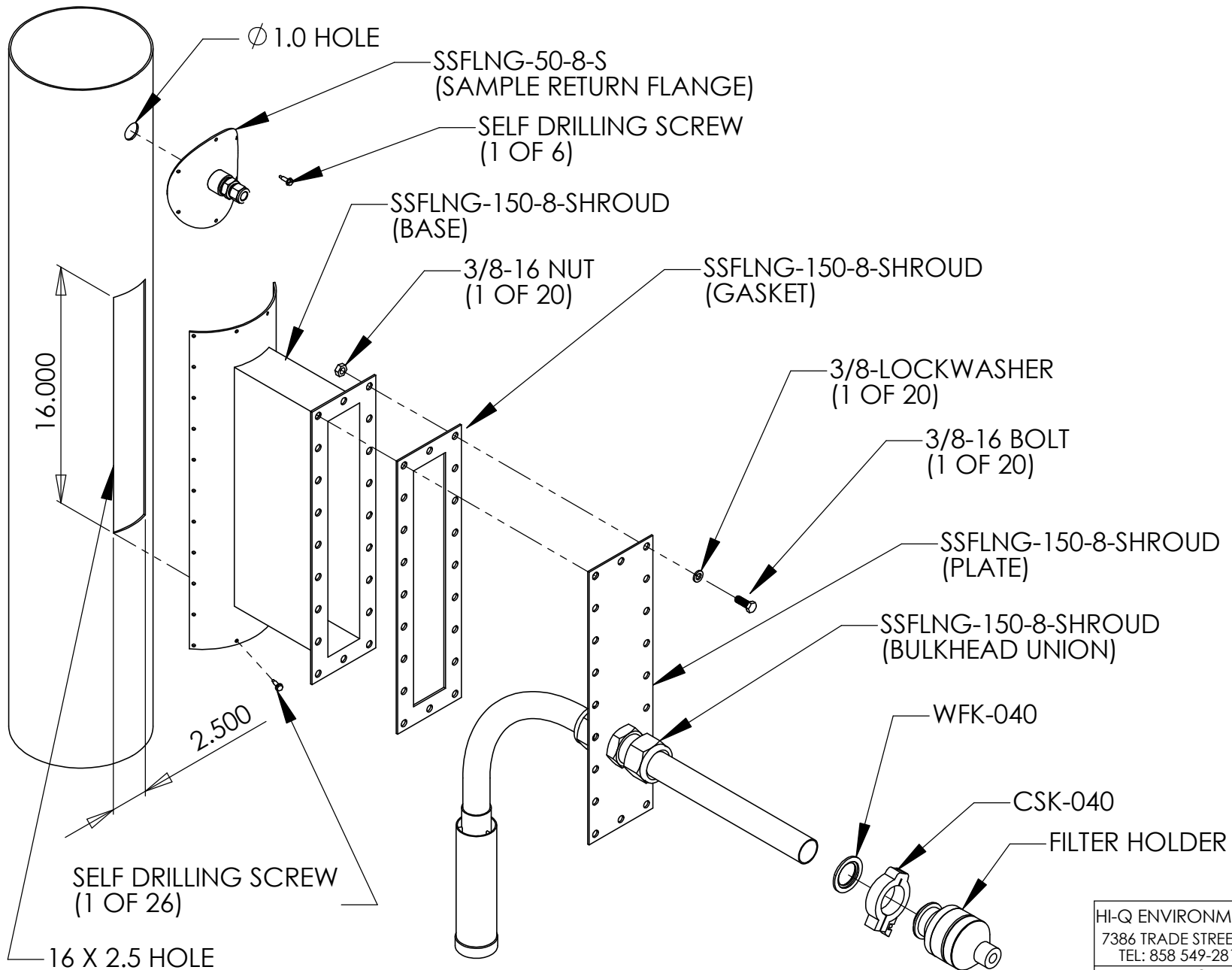
HI-Q ENVIRONMENTAL PRODUCTS CO.
 7386 TRADE STREET, SAN DIEGO, CA 92121
 TEL: 858 549-2818 FAX: 858 549-9657

**8 INCH STACK
 SHROUDED PROBE
 INSTALLATION**

| | |
|---|----------|
| DWG. NO. | REV. |
| STACK 8 INCH SPINSTALL | A |
| CAD FILE: Lab Impex Shrouded Probe Assy 8 Inch SHEET 2 OF 4 | |

PROPRIETARY AND CONFIDENTIAL
 THE INFORMATION CONTAINED IN THIS
 DRAWING IS THE SOLE PROPERTY OF
 HI-Q ENVIRONMENTAL PRODUCTS CO. ANY
 REPRODUCTION IN PART OR AS A WHOLE
 WITHOUT THE WRITTEN PERMISSION OF
 HI-Q ENVIRONMENTAL PRODUCTS CO. IS
 PROHIBITED.

| | |
|----------------------|---------|
| DO NOT SCALE DRAWING | |
| MATERIAL | N/A |
| FINISH | N/A |
| DRAWN BY | DATE |
| S.A. OWEN | 9/29/03 |

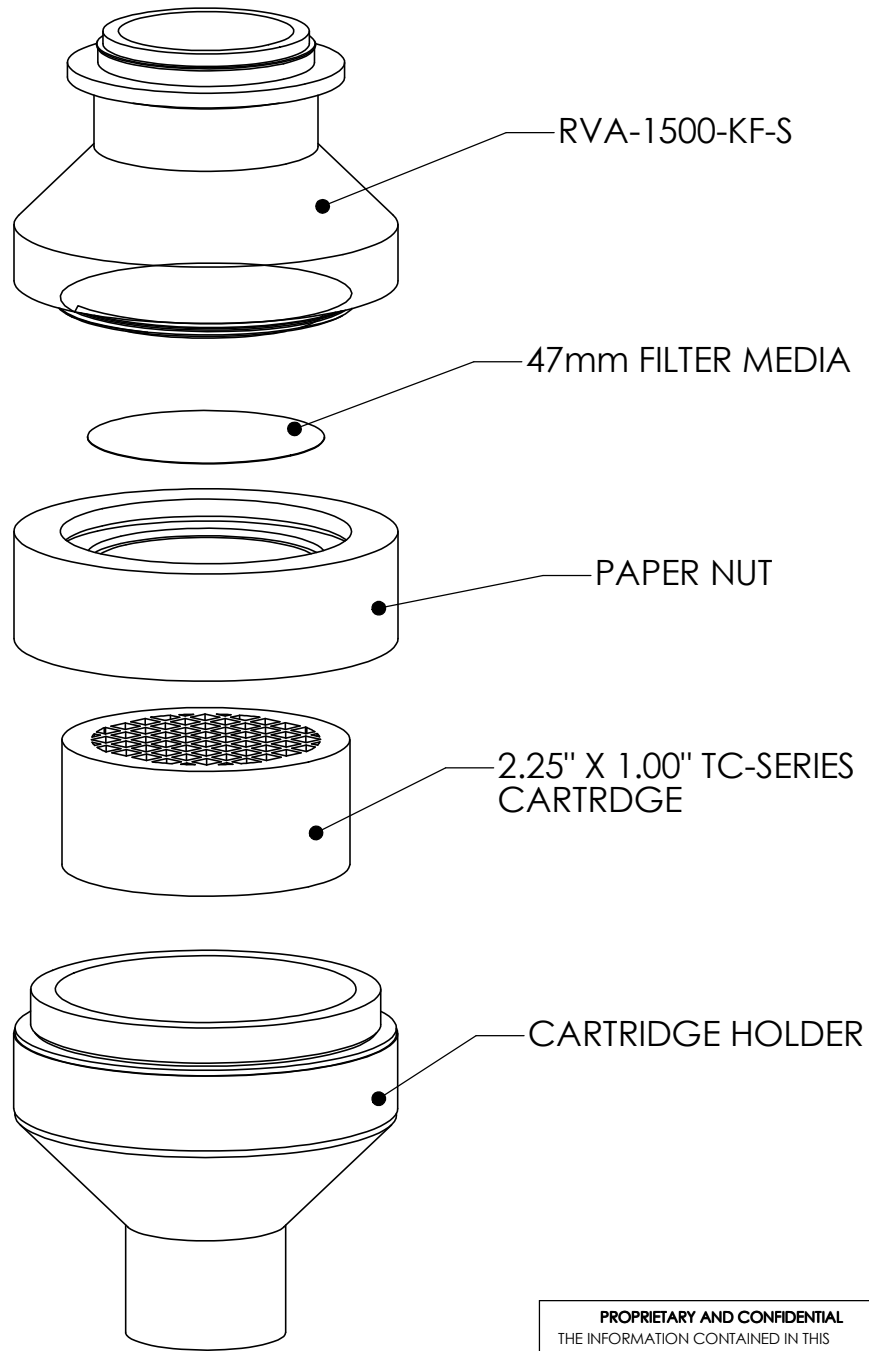


PROPRIETARY AND CONFIDENTIAL
 THE INFORMATION CONTAINED IN THIS DRAWING IS THE SOLE PROPERTY OF HI-Q ENVIRONMENTAL PRODUCTS CO. ANY REPRODUCTION IN PART OR AS A WHOLE WITHOUT THE WRITTEN PERMISSION OF HI-Q ENVIRONMENTAL PRODUCTS CO. IS PROHIBITED.

DO NOT SCALE DRAWING
 MATERIAL N/A
 FINISH N/A
 DRAWN BY S.A. OWEN
 DATE 10/21/03

HI-Q ENVIRONMENTAL PRODUCTS CO.
 7386 TRADE STREET, SAN DIEGO, CA 92121
 TEL: 858 549-2818 FAX: 858 549-9657

8 INCH STACK SHROUDED PROBE INSTALLATION (EXPLODED VIEW)
 DWG. NO. STACK 8 INCH SPINSTALL
 REV. **A**
 CAD FILE: Lab Impex Shrouded Probe Assy 8 Inch SHEET 3 OF 4



HI-Q ENVIRONMENTAL PRODUCTS CO.
 7386 TRADE STREET, SAN DIEGO, CA 92121
 TEL: 858 549-2818 FAX: 858 549-9657

**SHROUDED PROBE
 COMBINATION FILTER HOLDER
 ASSEMBLY**

| | |
|---|------------------|
| DWG. NO. SP FILTER HOLDER | REV. A |
| CAD FILE: Lab Impex Shrouded Probe Assy 8 Inch SHEET 4 OF 4 | |

PROPRIETARY AND CONFIDENTIAL
 THE INFORMATION CONTAINED IN THIS
 DRAWING IS THE SOLE PROPERTY OF
 HI-Q ENVIRONMENTAL PRODUCTS CO. ANY
 REPRODUCTION IN PART OR AS A WHOLE
 WITHOUT THE WRITTEN PERMISSION OF
 HI-Q ENVIRONMENTAL PRODUCTS CO. IS
 PROHIBITED.

| | |
|------------------------------|------------------------|
| DO NOT SCALE DRAWING | |
| MATERIAL | N/A |
| FINISH | N/A |
| DRAWN BY S.A. OWEN | DATE 9/29/03 |