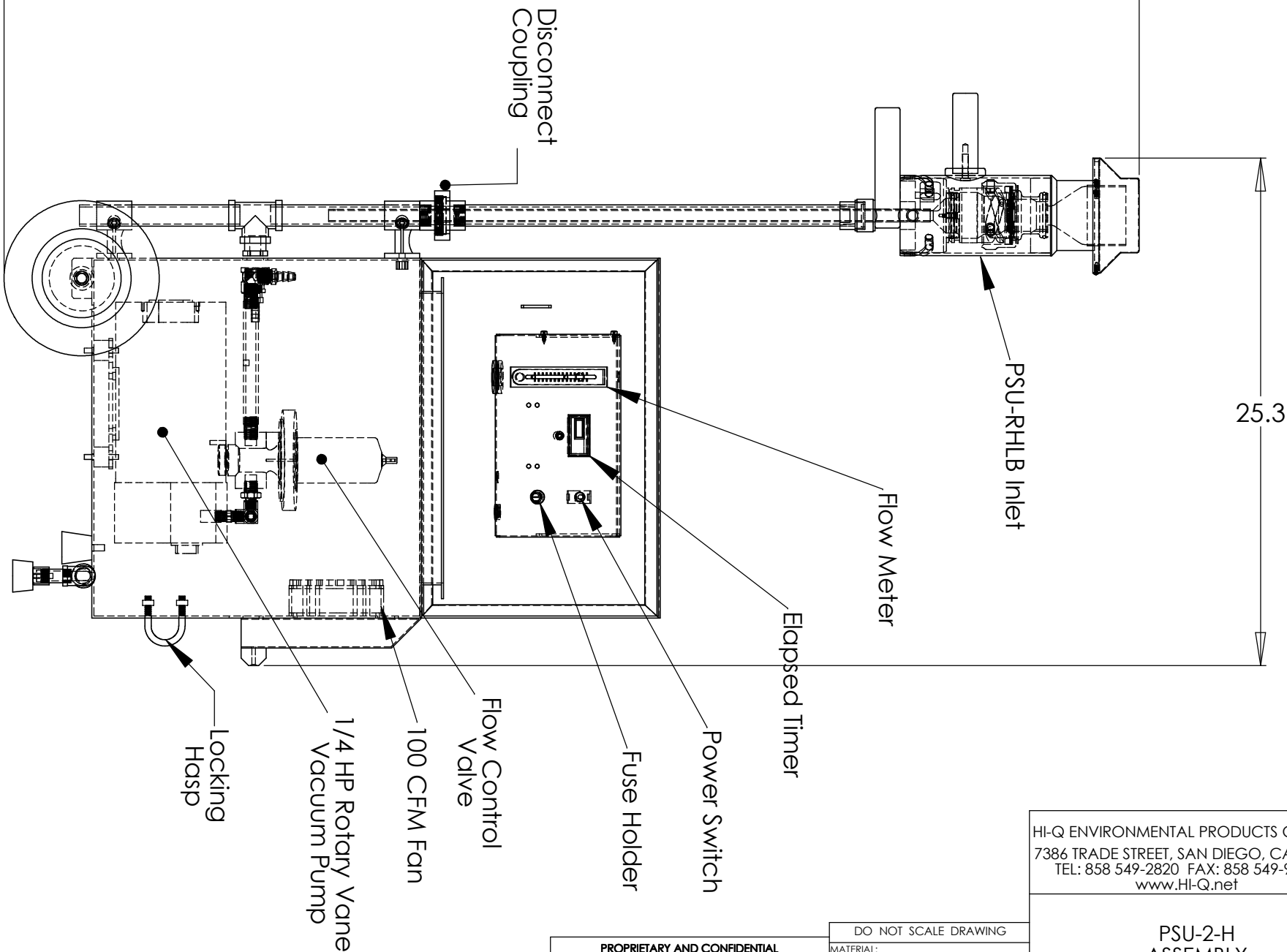


56.6 (Collapsed) to 76.6 (Extended)



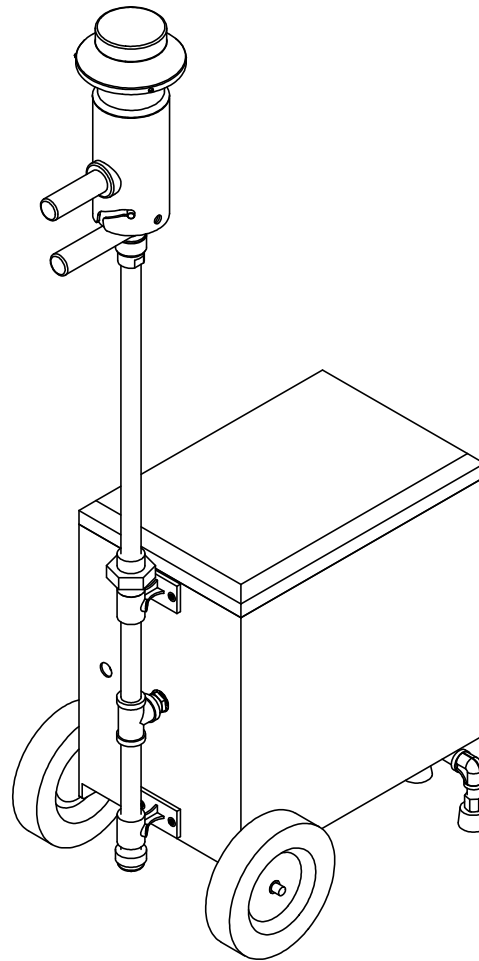
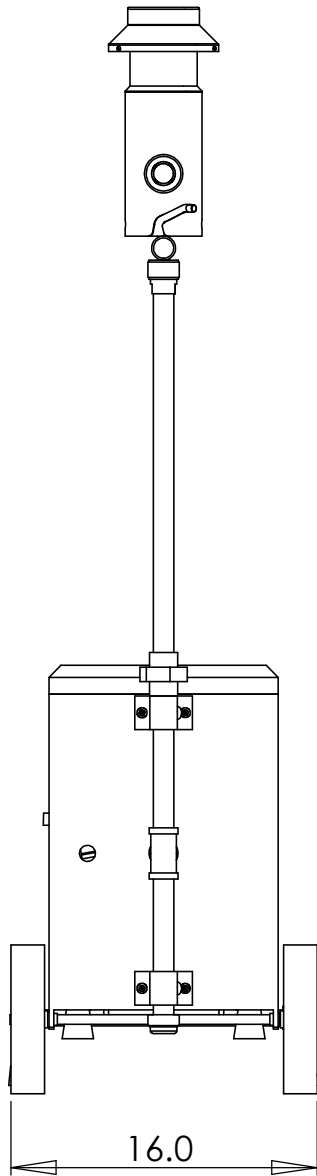
HI-Q ENVIRONMENTAL PRODUCTS COMPANY
 7386 TRADE STREET, SAN DIEGO, CA 92121
 TEL: 858 549-2820 FAX: 858 549-9657
 www.HI-Q.net

**PSU-2-H
 ASSEMBLY**

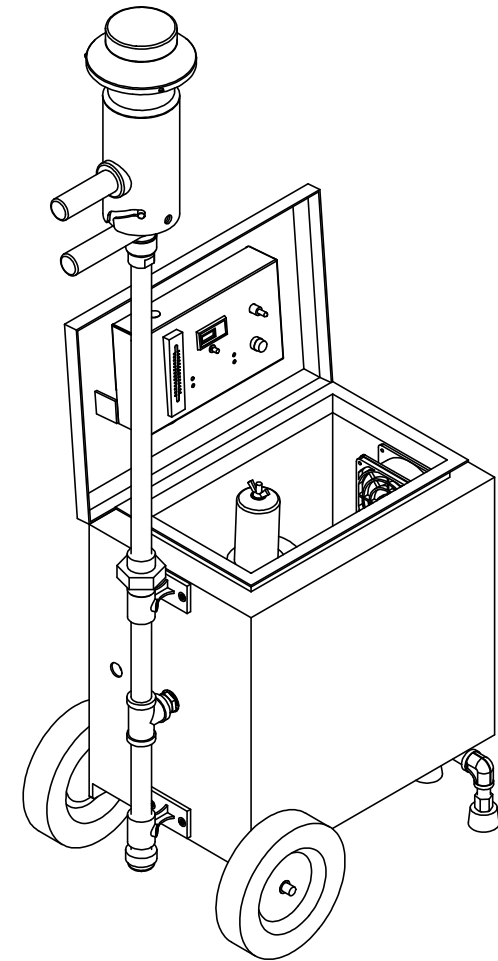
PROPRIETARY AND CONFIDENTIAL
 THE INFORMATION CONTAINED IN THIS DRAWING IS THE SOLE PROPERTY OF HI-Q ENVIRONMENTAL PRODUCTS CO. ANY REPRODUCTION IN PART OR AS A WHOLE WITHOUT THE WRITTEN PERMISSION OF HI-Q ENVIRONMENTAL PRODUCTS CO. IS PROHIBITED.

DO NOT SCALE DRAWING	
MATERIAL:	N/A
FINISH:	N/A
DRAWN BY:	DATE:
S.A. OWEN	8/6/06

SIZE	DWG. NO.	REV.
A	PSU-2-H DIMENSIONS	A
CAD FILE: PSU-2-H HI-Q OVERALL DIMENSIONS.SLDDRW SHEET 1 OF 2		



Lid Closed



Lid Open

HI-Q ENVIRONMENTAL PRODUCTS COMPANY
 7386 TRADE STREET, SAN DIEGO, CA 92121
 TEL: 858 549-2820 FAX: 858 549-9657
 www.HI-Q.net

**PSU-2-H
 ASSEMBLY**

PROPRIETARY AND CONFIDENTIAL
 THE INFORMATION CONTAINED IN THIS DRAWING IS THE SOLE PROPERTY OF HI-Q ENVIRONMENTAL PRODUCTS CO. ANY REPRODUCTION IN PART OR AS A WHOLE WITHOUT THE WRITTEN PERMISSION OF HI-Q ENVIRONMENTAL PRODUCTS CO. IS PROHIBITED.

DO NOT SCALE DRAWING	
MATERIAL:	N/A
FINISH:	N/A
DRAWN BY:	DATE:
S.A. OWEN	8/6/06

SIZE	DWG. NO.	REV.
A	PSU-2-H DIMENSIONS	A
CAD FILE: PSU-2-H HI-Q OVERALL DIMENSIONS.SLDDRW		
SHEET 2 OF 2		